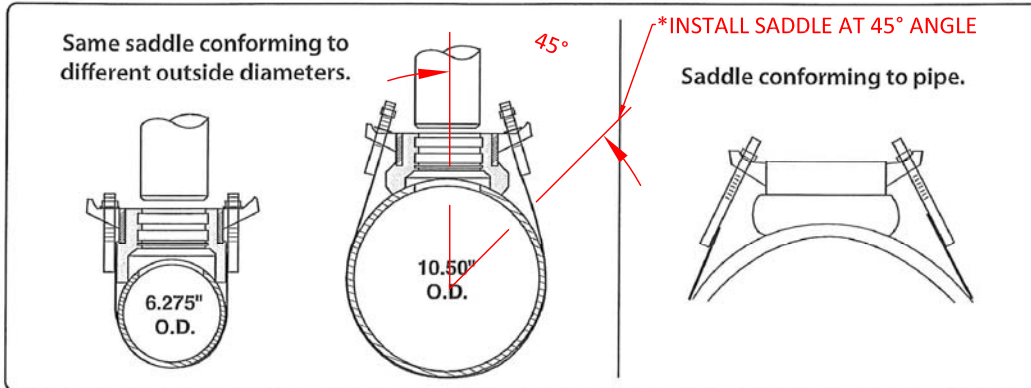




SEWER SADDLE



*ALL HARDWARE TO BE STAINLESS STEEL

Material Specifications

Castings: Ductile iron per ASTM 536, Grade 65-45-12. Protected with a yellow shopcoat.

Adjustable Strap: 3 1/2" wide, stainless steel per ASTM A 240, type 304.

Bolts: 1/2" UNC rolled thread, lubricant coated, stainless steel per ASTM A 193, type 304.

Nuts: Stainless steel per ASTM A 194, type 304.

Washers: Stainless steel per ASTM A 240, type 304 and plastic lubricating washers.

Gasket: SBR per ASTM D 2000 MBA 710, compounded for water and sewer service. Gasket is formulated with antioxidant/antiozonant agent to increase shelf life.

This information is based on the best data available at the date printed, please check with Romac Engineering Department for any updates or changes.

NOM. BRANCH SIZE	NOM. PIPE SIZE	RANGE	BRANCH TYPE	BRANCH O.D.	CATALOG NUMBER	APPROX. WEIGHT (lbs.)	
4"	6"-12" 48" Strap	6.27-14.40 Regular Gasket	PVC Sewer	4.215	CB-4.215	10 #	
			Tyseal	4.28	CB-4.28		
			C.I. Soil-No Hub	4.38	CB-4.38		
			PVC	4.50	CB-4.50		
			Universal ¹	4.20-4.80	CB-4.80UN ¹		
			Clay ¹	5.00-5.38	CB-5.38 ¹		
	14"-24" 96" Strap	14.40-25.80 Large O.D. Gasket	PVC Sewer	4.215	CB-4.215LS	11 #	
			Tyseal	4.28	CB-4.28LS		
			C.I. Soil-No Hub	4.38	CB-4.38LS		
			PVC	4.50	CB-4.50LS		
			Universal ¹	4.20-4.80	CB-4.80UNLS ¹		
			Clay ¹	5.00-5.38	CB-5.38LS ¹		
24"-48" 192" Strap	25.80-54.00 Large O.D. Gasket	PVC Sewer	4.215	CB-4.215XLS	13 #		
		Tyseal	4.28	CB-4.28XLS			
		C.I. Soil-No Hub	4.38	CB-4.38XLS			
		PVC	4.50	CB-4.50XLS			
		Universal ¹	4.20-4.80	CB-4.80UNXLS ¹			
		Clay ¹	5.00-5.38	CB-5.38XLS ¹			
6"	8"-12" 48" Strap	8.00-14.40 Regular Gasket	PVC Sewer	6.27-6.30	CB-6.30	12 #	
			C.I. Soil-No Hub		CB-6.30		
			A/C M.E. Sewer	6.66	CB-6.66		
			Universal ¹	6.27-6.66	CB-6.66UN ¹		
			Cast Iron-D.I.	6.90	CB-6.90		
	14"-24" 96" Strap	14.40-25.80 Large O.D. Gasket	7.19-7.56	PVC Sewer	6.27-6.30	CB-6.30LS	13 #
				C.I. Soil-No Hub		CB-6.30LS	
				A/C M.E. Sewer	6.66	CB-6.66LS	
				Universal ¹	6.27-6.66	CB-6.66UNLS ¹	
				Cast Iron-D.I.	6.90	CB-6.90LS	
	24"-48" 192" Strap	25.80-54.00 Large O.D. Gasket	7.19-7.56	PVC Sewer	6.27-6.30	CB-6.30XLS	15 #
				C.I. Soil-No Hub		CB-6.30XLS	
A/C M.E. Sewer				6.66	CB-6.66XLS		
Universal ¹				6.27-6.66	CB-6.66UNXLS ¹		
Cast Iron-D.I.				6.90	CB-6.90XLS		


ROMAC INDUSTRIES, INC.
 romac.com
 800.426.9341

QDC STANDARD SEWER SADDLE DETAIL
 AS MANUFACTURED BY ROMAC INDUSTRIES, INC.