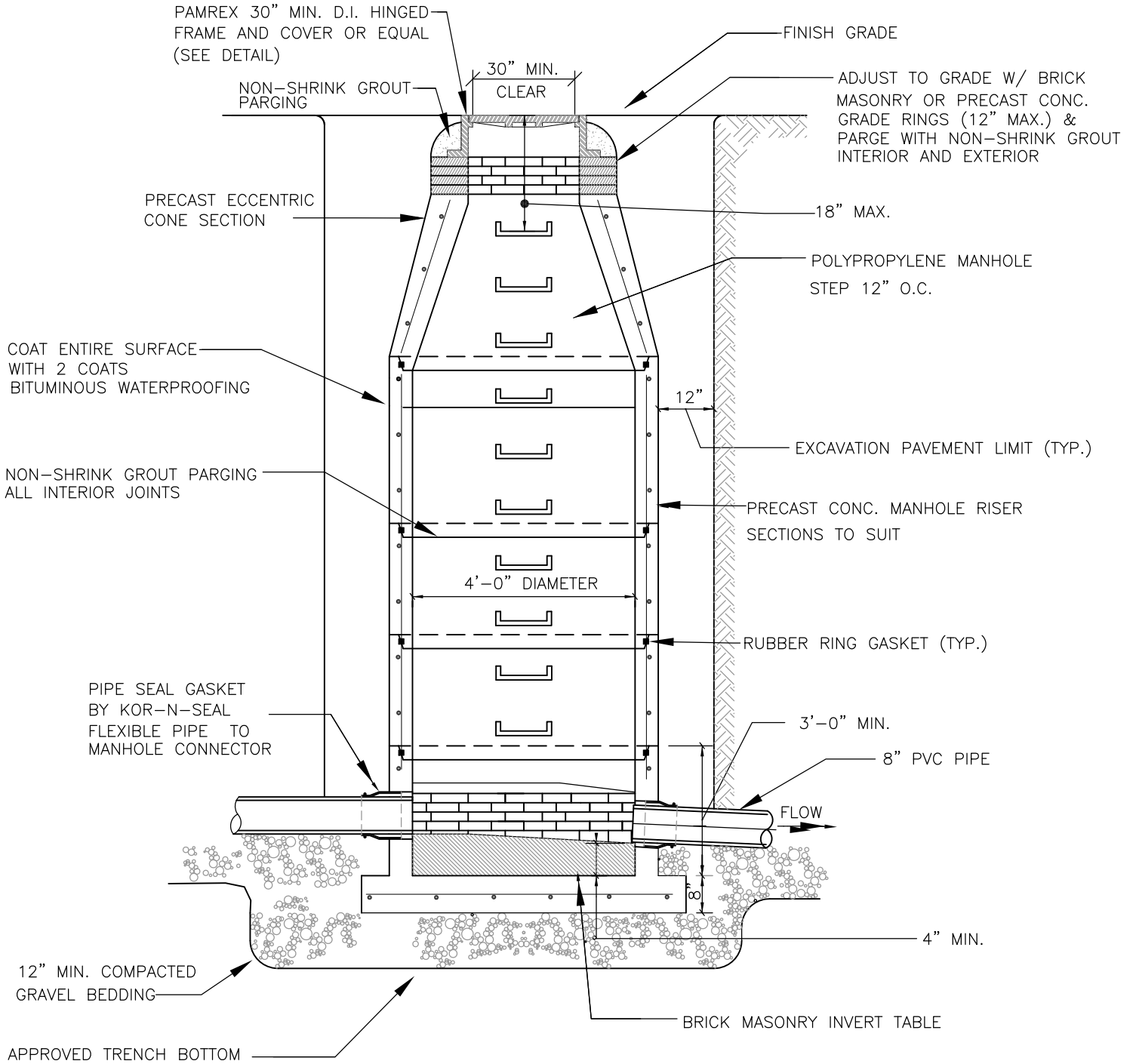


- NOTES: 1. NO INSIDE DROPS PERMITTED ON 4' DIAMETER MANHOLES
 2. ALL COVERS TO INDICATE "SANITARY SEWER" IN 3" LETTERS.
 3. REINFORCED CONCRETE FLAT TOP TO BE USED ON SHALLOW MANHOLES.



TYPICAL SANITARY MANHOLE DETAIL

NOT TO SCALE